

LANDA Tuff-Skin™ Hose

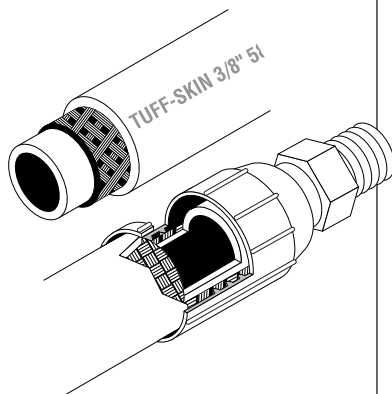
For use with: hot- or cold-water pressure Washer

There is no other high-pressure hose as tough as LANDA's Tuff-Skin™ hose. When tested to ISO 6945 / DIN 20024, the Tuff-Skin has proven to be seven times more abrasion resistant than standard pressure washer hoses yet is 20% more flexible. The Tuff-Skin, with its unique design, has been engineered for a greater continuous temperature range—from -40° to 275°F / 310°F intermittent—and for handling pressures of up to 5800 psi.

Beside its maximum-strength Class A ORS (Oil Resistance Standard)—most other brands are Class B—the Tuff-Skin has a “bite-the-wire” coupling that grips the hose better than any other design.

Both single- and double-wire braid hoses come with durable plastic sleeves on both ends—including a 24-inch sleeve on the gun end—for added operator protection against high-pressure bursts.

- **Greater Oil Resistance:** Both the tube and the cover carry the maximum Class A ORS (Oil Resistance Standard) for longer life. Most brands of hose carry only a Class B rating.
- **Higher Temperature Rating:** Tuff-Skin hoses are rated for continuous temperatures up to 275°F / 310°F intermittent—20-30% higher than other brands.
- **Special Wire Braid:** Unique design of braid gives Tuff-Skin hose added durability, greater working pressure and higher impulse cycle in both the double- and single-wire products.
- **Easily Identified:** Permanently embossed identification makes for easy tracing and owner protection.
- **Certified Burst Protection:** Tuff-Skin meets the stringent UL-1776 safety standards with two hose guards—including a 24-inch sleeve on the gun end—for added operator protection against bursts.
- **Higher Abrasion Resistance:** The Tuff-Skin cover has been specially compounded to deliver 7 times the abrasion resistance of other brands.
- **Additional Flexibility:** Even with extra durability, the braid design allows for 20% more flexibility than other brands.
- **Unique Coupling:** A “bite-the-wire” coupling actually reaches the wire braid for never-slip retention, far superior to the “compression” fittings used on conventional hoses.



Tuff-Skin 1-Wire 3000 PSI Hose



- Wrapped impression, maximum oil resistant tube and cover with black hose guard
- 20% greater flexibility
- Seven times greater abrasion resistance
- Built to SAE 100R1AT OD dimensions
- 3/8" MPT Swivel x 3/8" MPT Solid



Part No.	Size	Temp	PSI
4-020325	25' x 3/8" ID	275°F	3000
4-020350	50' x 3/8" ID	275°F	3000
4-020375	75' x 3/8" ID	275°F	3000
4-020399	100' x 3/8" ID	275°F	3000
4-0203150	150' x 3/8" ID	275°F	3000
4-02053450	50' x 1/2" ID	275°F	3000
4-02053498	100' x 1/2" ID	275°F	3000
4-020334200	3/8" (bulk hose)*	275°F	3000

*500 feet per reel

Tuff-Skin 2-Wire 5800 PSI Hose



- Wrapped impression, maximum oil resistant tube and cover with red hose guard
- 2-wire protection
- Seven times greater abrasion resistance
- Built to SAE 100R2AT OD dimensions
- 3/8" MPT Swivel x 3/8" MPT Solid



Part No.	Size	Temp	PSI
4-020425	25' x 3/8" ID	275°F	5800
4-020450	50' x 3/8" ID	275°F	5800
4-020475	75' x 3/8" ID	275°F	5800
4-020499	100' x 3/8" ID	275°F	5800
4-0204150	150' x 3/8" ID	275°F	5800
4-020434200	3/8" (bulk hose)*	275°F	5800
4-02063450	50' x 1/2" ID	275°F	5800
4-02063499	100' x 1/2" ID	275°F	5800

*400 feet per reel

Tuff-Flex 1-Wire 4000 PSI Hose



- Same quality cover as Tuff-Skin
- 1 wire flexibility
- 4000 PSI



Part No.	Size	Temp	PSI
4-02083425	25' x 3/8" ID	275°F	4000
4-02083450	50' x 3/8" ID	275°F	4000
4-02083475	75' x 3/8" ID	275°F	4000
4-02083499	100' x 3/8" ID	275°F	4000

3/8" Tuff-Flex 1-Wire 3000 PSI Hose

Tuff-Flex hose has the same durable cover as the Tuff-Skin hose. A smaller OD allows for even greater flexibility.



- Wrapped impression, maximum oil resistant tube and cover
- 50% greater flexibility
- Seven times greater abrasion resistance
- Economically priced
- 3/8" MPT Swivel x 3/8" MPT Solid

Part No.	Size	Temp	PSI
4-020625	25' x 3/8" ID	275°F	3000
4-020650	50' x 3/8" ID	275°F	3000
4-020675	75' x 3/8" ID	275°F	3000
4-020699	100' x 3/8" ID	275°F	3000

3/8" Tuff-Flex 2-Wire 4500 PSI Hose

Tuff-Flex hose has the same durable cover as the Tuff-Skin hose. A smaller OD allows for even greater flexibility.



- Wrapped impression, maximum oil resistant tube and cover
- 50% greater flexibility
- Seven times greater abrasion resistance
- Economically priced
- 3/8" MPT Swivel x 3/8" MPT Solid

Part No.	Size	Temp	PSI
4-020725	25' x 3/8" ID	275°F	4500
4-020750	50' x 3/8" ID	275°F	4500
4-020775	75' x 3/8" ID	275°F	4500
4-020799	100' x 3/8" ID	275°F	4500

1/4" Tuff-Flex 1-Wire Hobby Upgrade Hose

Upgrade consumer model replacement hose with a real hose that will last. Same durable "Tuff-Flex" cover on a 1/4" ID hose complete with european fittings.



- Maximum oil resistant tube and cover
- European style fittings
- -40°F to 250/275°F, 300°F intermittent
- Attaches to LANDA ZF unit
- Seven times greater abrasion resistant Tuff-Skin cover.

Part No.	Size	Temp	PSI
4-02011225	25' x 1/4" ID	275°F	3000
4-02011250	50' x 1/4" ID	275°F	3000
4-02011275	75' x 1/4" ID	275°F	3000
4-02011299	100' x 1/4" ID	275°F	3000

Steam Hose

This is a premium grade, heavy-duty 1/2" ID steam hose. High grade ozone and oil resistant cover.



- 250 psi @ 450°F
- 600 psi @ 350°F

Part No.	Size	Temp	PSI
4-02228825	25' x 1/2" ID	450°F	250
4-02228850	50' x 1/2" ID	450°F	250
4-02228899	100' x 1/2" ID	450°F	250

Industrial Garden Hose

Built to last, extra-large 3/4" ID Inlet water hose. EPDM cover and tube is perfect for water and provides ozone and heat protection.



- EPDM Tube and Cover
- Class C Oil Resistant
- -40°F to 212°F
- Heavy-Duty, contractor grade
- Crush resistant fittings

Part No.	Size	Temp	PSI
4-02140025	25' x 3/4" ID	212°F	200
4-02140050	50' x 3/4" ID	212°F	200
4-02140075	75' x 3/4" ID	212°F	200
4-02140099	100' x 3/4" ID	212°F	200

Garden Hose - APEX Quality



- Rated for cold water use
- Reinforced hoses for flexibility & strength in all weather
- Assemblies complete with bend restrictor
- 5/8" or larger ID for full flow
- Choice of Commercial or Heavy-duty grade
- Commercial grade has machined octagonal "wrench tight" fittings

Part No.	Size	Temp	PSI	Color
121315	50'	5/8"	Com	Gray
121319	100'	5/8"	Com	Gray
121332	50'	5/8"	HD	Lt. Green
121336	100'	5/8"	HD	Lt. Green

All Rubber Reinforced Hot Water (160°F) Hose

121344	50'	5/8"	Com	Red
121348	50'	3/4"	Com	Red

HOSES & HOSE REELS

Sandblast Hose

Heavy-duty spiralite hose available preassembled or by the foot.



- 3/4" spiralite sand hose with air hose locking couplers
- -30°F to 130°F



Part No.	Size: ID	Temp	Description
4-02190000	3/4"	130°F	Sand, Spiralite /ft
4-02199925	3/4" x 25'	130°F	Assy, Sand, Spiralite 25'
4-02199940	3/4" x 40'	130°F	Assy, Sand, Spiralite 40'

Float Tank Inlet Hose

Float tank connection hoses are completely assembled and ready to go. Don't see the size you need? Call us for special orders.



- Pre-made hose with special float fitting already installed
- 3/8" ID Push-on hose
- -40°F to 212°F



Part No.	Size	Temp	PSI
4-02100008	8"	212°F	300
4-02100009	11"	212°F	300
4-02100013	13"	212°F	300
4-02100030	30"	212°F	300
4-02100045	45"	212°F	300
2-30140	Connector, Fluidmaster Ball Cock		

Push-On Hose

This is a fabric braid hose with a Nitrile cover and tube. Easily pushes on to hose barb fitting and good up to 300 psi.



- Fabric braid
- Nitrile cover
- -40°F to 212°F



Part No.	Size	Temp	PSI
4-02100000	1/4" ID	212°F	300
4-02110000	1/2" ID	212°F	300
4-02120000	3/4" ID	212°F	300

Vinyl Tubing

This 1/4" x 1/2" clear vinyl tubing is heavier duty than the rest! Thick wall resists kinking. Available in clear or clear reinforced with a polyester braid.



- Very flexible
- Available by the foot or 100' rolls



Part No.	Size: ID x OD	PSI	Description
4-02080000	1/4" x 1/2"	50	Clear Vinyl /ft
4-02090000	1/4" x 1/2"	250	Braided Vinyl /ft

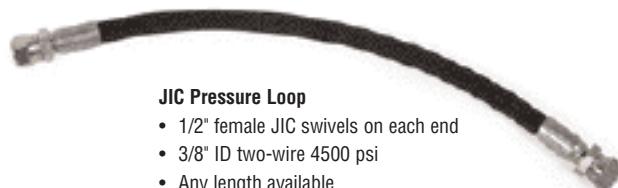
1/4", 3/8" & 1/2" 2-Wire Pressure Loop

The 1/4" ID pressure lines swivel at both ends for most any application. The 3/8" ID pressure loops have female JIC on both ends for typical unloader connection hose.



1/4" ID Pressure Line

- 1/4" MPT swivel x 1/4" MPT swivel
- 1/4" ID two-wire 5000 psi
- Any length available



JIC Pressure Loop

- 1/2" female JIC swivels on each end
- 3/8" ID two-wire 4500 psi
- Any length available

Part No.	Size	Temp	PSI	Description
4-02021216	16" x 1/4" ID	275°F	5000	1/4" Pressure Line
4-02021220	20" x 1/4" ID	275°F	5000	1/4" Pressure Line
4-02021226	26" x 1/4" ID	275°F	5000	1/4" Pressure Line
4-02021228	28" x 1/4" ID	275°F	5000	1/4" Pressure Line
4-02021230	30" x 1/4" ID	275°F	5000	1/4" Pressure Line
4-02021236	36" x 1/4" ID	275°F	5000	1/4" Pressure Line
4-02021242	42" x 1/4" ID	275°F	5000	1/4" Pressure Line
4-02047716	16" x 3/8" ID	275°F	4500	Pressure Loop
4-02047720	20" x 3/8" ID	275°F	4500	Pressure Loop
4-02047722	22" x 3/8" ID	275°F	4500	Pressure Loop
4-02047725	25" x 3/8" ID	275°F	4500	Pressure Loop
4-02047729	29" x 3/8" ID	275°F	4500	Pressure Loop
4-02047736	36" x 3/8" ID	275°F	4500	Pressure Loop
4-02047738	38" x 3/8" ID	275°F	4500	Pressure Loop
4-02047742	42" x 3/8" ID	275°F	4500	Pressure Loop
4-02067720	20" x 1/2" ID	275°F	4500	Pressure Loop
4-02067722	22" x 1/2" ID	275°F	4500	Pressure Loop
4-02067728	28" x 1/2" ID	275°F	4500	Pressure Loop
4-02067746	46" x 1/2" ID	275°F	4500	Pressure Loop
4-02067770	70" x 1/2" ID	275°F	4500	Pressure Loop

Crimp Fittings

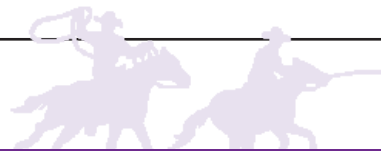
Crimp fittings for creating your own specialty hoses. **Warning:** Use of proper crimp specifications is critical. Crimp specifications differ for hoses and/or crimpers. **Always crimp to proper specifications.** Call for proper specifications.



- For replacement on all Tuff-Skin hose
- Fit most hoses (call for proper crimp specs)
- Zinc plated
- Many sizes available

Part No.	Size	Description
2-021002	3/8"	Female JIC Swivel x 3/8"
2-02101	3/8"	Male Swivel x 3/8"
2-02102	3/8"	Male Solid x 3/8"
2-021041	3/8"	Female Solid x 3/8"

Rawhide Hose



Wrapped finish cover hose for use with: hot- or cold-water pressure Washer

All standard RAWHIDE assemblies include:

- 1 solid end and 1 swivel end
- 6" molded vinyl, color coded bend restrictors (both ends)
- Durable wrapped finish outer cover
- Superior flexibility
- Beefed up high tensile steel wire braid for full 4:1 burst factor
- Smooth bore Synthetic Rubber inner core for greater life and minimal pressure loss
- Temperature up to 250°F



Rawhide Super Six 2-Wire 6000 PSI Black 3/8" Hose



Full 4:1 safety factor

Part No.	Size	Temp	PSI	Approx Wt - lbs
3/8" Black Hose				
159305	25' x 3/8" ID	250°F	6000	9.0
159310	50' x 3/8" ID	250°F	6000	17.0
159315	75' x 3/8" ID	250°F	6000	25.0
159320	100' x 3/8" ID	250°F	6000	33.0
159325	150' x 3/8" ID	250°F	6000	48.0
159300*	500' x 3/8" ID	250°F	6000	

*500 ft reel, 50 ft incremental lengths (max 3 pieces)

Rawhide 1-Wire 3000 PSI Black Hose



Part No.	Size	Temp	PSI	Approx Wt - lbs
3/8" Black Hose				
159265	25' x 3/8" ID	250°F	3000	6.00
159270	30' x 3/8" ID	250°F	3000	7.00
159275	40' x 3/8" ID	250°F	3000	10.00
159280	50' x 3/8" ID	250°F	3000	12.00
159285	75' x 3/8" ID	250°F	3000	17.00
159290	100' x 3/8" ID	250°F	3000	23.00
159295	150' x 3/8" ID	250°F	3000	34.00
159200*	500' x 3/8" ID	250°F	3000	

1/4" Black Hose

159165	25' x 1/4" ID	250°F	3000	4.00
159180	50' x 1/4" ID	250°F	3000	8.00
159185	75' x 1/4" ID	250°F	3000	12.00
159190	100' x 1/4" ID	250°F	3000	16.00
159195	150' x 1/4" ID	250°F	3000	24.00
159100*	500' x 1/4" ID	250°F	3000	

*500 ft reel, 50 ft incremental lengths (max 3 pieces)

Rawhide 2-Wire 5000 PSI Black 3/8" Hose



Part No.	Size	Temp	PSI	Approx Wt - lbs
3/8" Black Hose				
159565	25' x 3/8" ID	250°F	5000	9.00
159580	50' x 3/8" ID	250°F	5000	17.00
159585	75' x 3/8" ID	250°F	5000	25.00
159590	100' x 3/8" ID	250°F	5000	33.00
159595	150' x 3/8" ID	250°F	5000	48.00
159500*	500' x 3/8" ID	250°F	5000	

*500 ft reel, 50 ft incremental lengths (max 3 pieces)

Rawhide 1-Wire 3000 PSI Blue & Yellow Non-Marking Hose



ANIMAL FAT RESISTANT

Part No.	Size	Temp	PSI	Approx Wt - lbs
3/8" Yellow Hose				
159980	50' x 3/8" ID	250°F	3000	12.00
159985	75' x 3/8" ID	250°F	3000	17.00
159990	100' x 3/8" ID	250°F	3000	23.00
159995	150' x 3/8" ID	250°F	3000	34.00
159900*	500' x 3/8" ID	250°F	3000	

3/8" Blue Hose

159780	50' x 3/8" ID	250°F	3000	12.00
159785	75' x 3/8" ID	250°F	3000	17.00
159790	100' x 3/8" ID	250°F	3000	23.00
159795	150' x 3/8" ID	250°F	3000	34.00
159700*	500' x 3/8" ID	250°F	3000	

1/4" Blue Hose

159865	25' x 1/4" ID	250°F	3000	4.00
159880	50' x 1/4" ID	250°F	3000	8.00
159885	75' x 1/4" ID	250°F	3000	12.00
159890	100' x 1/4" ID	250°F	3000	16.00
159895	150' x 1/4" ID	250°F	3000	24.00
159800*	500' x 1/4" ID	250°F	3000	

*500 ft reel, 50 ft incremental lengths (max 3 pieces)

Apex 3000 PSI Hose



Smooth cover hose for use with: hot- or cold-water pressure Washer

All standard Apex assemblies include:

- 1 solid end and 1 swivel end
- 6" molded vinyl, black bend restrictors (both ends)
- Smooth outer cover
- 3000 PSI single high tensile steel wire braid
- Seamless inner tube
- Temperature up to 250°F



Apex 3000 1-Wire 3000 PSI Hose



Part No.	Size	Approx Wt - lbs
3/8" Black Hose		
153550	15' x 3/8" ID	5.0
153555	25' x 3/8" ID	7.0
153560	30' x 3/8" ID	9.0
153565	40' x 3/8" ID	11.0
153570	50' x 3/8" ID	13.0
153575	75' x 3/8" ID	19.0
153590	100' x 3/8" ID	25.0
153595	150' x 3/8" ID	37.0
153000*	Full Reel	

1/2" Black Hose		
155425	25' x 1/2" ID	7.50
155450	50' x 1/2" ID	14.00
155475	75' x 1/2" ID	21.00
155499	100' x 1/2" ID	27.00
155400*	Full Reel	

*Full Reel – 500 ft per reel, hose only, 50 ft incremental lengths (max 3 pieces)

1/4" Black Hose		
151025	25' x 1/4" ID	5.00
151030	30' x 1/4" ID	6.00
151050	50' x 1/4" ID	10.00
151075	75' x 1/4" ID	15.00
151090	100' x 1/4" ID	20.00
151000*	Carton Pack	

*Full Reel – 700 ft per reel, hose only, 50 ft incremental lengths (max 3 pieces)

Part No.	Custom Lengths
3/8" Hose	
153000	per ft / hose only
150232*	add fitting(s) and bend restrictor
150205*	add fitting(s) only

1/2" Hose	
155400	per ft / hose only
150220*	add fitting(s) and bend restrictor
150222*	add fitting(s) only

1/4" Hose	
151000	per ft / hose only
150210*	add fitting(s) and bend restrictor
150212*	add fitting(s) only

*Assembly – Add to cost of custom length (labor & fittings - 1 solid, 1 swivel)

Apex 3000 1-Wire 3000 PSI Colored Non-Marking Hose



Fat & Oil Resistant

Part No.	Size	Approx Wt - lbs
3/8" Hose		
Yellow		
153615	15' x 3/8" ID	4.85
153625	25' x 3/8" ID	7.00
153630	30' x 3/8" ID	9.00
153640	40' x 3/8" ID	11.00
153650	50' x 3/8" ID	13.00
153675	75' x 3/8" ID	19.00
153690	100' x 3/8" ID	25.00
153600V*	Full Reel, Yellow	
Blue		
153715	15' x 3/8" ID	4.85
153725	25' x 3/8" ID	7.00
153730	30' x 3/8" ID	9.00
153740	40' x 3/8" ID	11.00
153750	50' x 3/8" ID	13.00
153775	75' x 3/8" ID	19.00
153790	100' x 3/8" ID	25.00
153700*	Full Reel, Blue	

*Full Reel – 500 ft per reel, hose only, 50 ft incremental lengths (max 3 pieces)

1/4" Hose - Blue		
151425	25' x 3/8" ID	5.00
151450	50' x 3/8" ID	10.0
151475	75' x 3/8" ID	15.0
151490	100' x 3/8" ID	20.0
151400*	Full Reels	

*Full Reel – 700 ft per reel, hose only, 50 ft incremental lengths (max 3 pieces)

Part No.	Custom Lengths
3/8" Hose	
153600V	per ft / hose only - Yellow
153700	per ft / hose only - Blue
150232*	add fitting(s) and bend restrictor
150205*	add fitting(s) only

1/4" Hose	
151400	per ft / hose only - Blue

*Assembly – Add to cost of custom length (labor & fittings - 1 solid, 1 swivel)

Ultima 4500 PSI Hose



Smooth cover hose for use with: hot- or cold-water pressure Washer

All standard Ultima assemblies include:

- 1 solid end and 1 swivel end
- 6" molded vinyl, red bend restrictors (both ends)
- Smooth outer cover
- 4500 PSI double wire braid high tensile steel
- Seamless inner tube
- Temperature up to 250°F



Ultima 4500 2-Wire 4500 PSI Hose



Part No.	Size	Approx Wt - lbs
3/8" Black Hose		
154215	15' x 3/8" ID	5.75
154225	25' x 3/8" ID	8.00
154250	50' x 3/8" ID	15.00
154275	75' x 3/8" ID	22.00
154290	100' x 3/8" ID	28.00
154294	150' x 3/8" ID	42.00
154000*	Full Reel	

1/2" Black Hose

155725	25' x 1/2" ID	9.25
155750	50' x 1/2" ID	18.00
155775	75' x 1/2" ID	26.80
155790	100' x 1/2" ID	35.50
155700**	Carton Pack	

*Full Reel – 500 ft per reel, hose only, 50 ft incremental lengths (max 3 pieces)
 **Full Carton – 330 ft per reel, hose only (max 3 pieces)

Part No.	Custom Lengths
3/8" Hose	
154000	per ft / hose only
150204*	add fitting(s) and bend restrictor
150202*	add fitting(s) only

*Assembly – Add to cost of custom length (labor & fittings - 1 solid, 1 swivel)

1/2" Hose

155700	per ft / hose only
150224*	add fitting(s) and bend restrictor
150222*	add fitting(s) only

*Assembly – Add to cost of custom length (labor & fittings - 1 solid MPT, 1 swivel MPT)

Ultima 4500 2-Wire 4500 PSI 3/8" Blue Non-Marking Hose



Fat & Oil Resistant

Part No.	Size	Approx Wt - lbs
3/8" Blue Hose		
154410	25' x 3/8" ID	8.00
154415	50' x 3/8" ID	15.00
154420	75' x 3/8" ID	22.00
154425	100' x 3/8" ID	28.00
154400*	Full Reel	

*500 ft per reel, hose only, 50 ft incremental lengths (max 3 pieces)

Part No.	Custom Lengths
154400	per ft / hose only
150204*	add fitting(s) and bend restrictor
150202*	add fitting(s) only

*Assembly – Add to cost of custom length (labor & fittings - 1 solid, 1 swivel)

Hobby Hose

Replacement hose for most hobby pressure Washer sold by mass retailers.



- Thermoplastic cover
- Fiber-braid reinforcement
- 2250 psi working pressure
- 9000 psi burst pressure
- M22 x 1.5 fitting inlet
- 14mm seal cone fits Karcher, Generac & Excell
- 15mm seal cone fits Campbell, MI-T-M

Part No.	Seal Cone	ID	Length
150245	14mm	1/4"	25 ft
150246	15mm	1/4"	25 ft
4-02010025M	22mm*	1/4"	25 ft

NOTE: See Hobby Gun and Lance on page 10.

*Both Ends

Max Flex Hose



Smooth cover hose for use with: hot- or cold-water pressure Washer

All standard Max Flex assemblies include:

- 1 solid end and 1 swivel end
- 6" molded vinyl, black bend restrictors (both ends)
- Premium RMA Class A, oil resistant carboxylated nitrile outer cover
- Beefed up high tensile steel wire braid for full 4:1 burst factor
- Superior flexibility and abrasion resistant
- Smooth bore Synthetic Rubber inner core for greater life and minimal pressure loss
- Temperature up to 250°F



Max Flex 4000 1-Wire 4000 PSI 3/8" Hose



Maximum Fat & Oil Resistant

Part No.	Size	PSI	Approx Wt - lbs
3/8" Black Hose			
154615	15' x 3/8" ID	4000	4.90
154625	25' x 3/8" ID	4000	7.50
154630	30' x 3/8" ID	4000	8.90
154640	40' x 3/8" ID	4000	11.70
154650	50' x 3/8" ID	4000	14.50
154675	75' x 3/8" ID	4000	21.50
154690	100' x 3/8" ID	4000	28.50
154600*	Full Reel		

*500 ft per reel, hose only, 50 ft incremental lengths (max 3 pieces)

Part No.	Custom Lengths
154600	per ft / hose only
150203*	add fitting(s) and bend restrictor
150205*	add fitting(s) only

*Assembly - Add to cost of custom length (labor & fittings - 1 solid, 1 swivel)

Max Flex 3000 1-Wire 3000 PSI 3/8" Hose



Maximum Fat & Oil Resistant

Part No.	Size	PSI	Approx Wt - lbs
3/8" Black Hose			
153210	25' x 3/8" ID	3000	8.00
153215	50' x 3/8" ID	3000	15.00
153220	75' x 3/8" ID	3000	22.00
153225	100' x 3/8" ID	3000	29.00
153230	150' x 3/8" ID	3000	44.00
153200*	Full Reel		

*500 ft per reel, hose only, 50 ft incremental lengths (max 3 pieces)

Part No.	Custom Lengths
153200	per ft / hose only
150200*	add fitting(s) and bend restrictor
150202*	add fitting(s) only

*Assembly - Add to cost of custom length (labor & fittings - 1 solid, 1 swivel)

Whitewater® Combination Steam Hose



Good up to 3000 psi / 250°F or 350 psi / 325°F (1/2" hose 2500 psi max).



- Single high-tensile steel wire braid
- High temperature bend restrictors - both ends
- Seamless innertube
- Solid 3/8" or 1/2" MPT connectors - both ends (Swivel ends NOT available)
- Oil-resistant cover

Part No.	Size	PSI
3/8" Hose		
153930	30'	up to 3000
153950	50'	up to 3000
153925	25'	up to 3000
153975	75'	up to 3000
153990	100'	up to 3000
153900*	Full Reel	

*500 ft per reel, hose only, 50 ft incremental lengths (max 3 pieces)

Part No.	Size	PSI
1/2" Hose		
155625	25'	up to 2500
155650	50'	up to 2500
155675	75'	up to 2500
155690	100'	up to 2500
155600*	Full Reel	

*500 ft per reel, hose only, 50 ft incremental lengths (max 3 pieces)

Part No.	Custom Lengths
3/8" Hose	
153900	per ft / hose only
150215*	add fitting(s) and bend restrictor
150216*	add fitting(s) only

Part No.	Custom Lengths
1/2" Hose	
155600	per ft / hose only
150230*	add fitting(s) and bend restrictor
150228*	add fitting(s) only

*Assembly - Add to cost of custom length (labor & fittings - 2 solid MPT)

Connector Hose - 2' - 10'



Connector hose come with 1 solid / 1 swivel end. NOTE: Add suffix "B" to include 6" bend restrictor.

Part No.	Lengths	Part No.	Lengths
3/8" Ultima - 2 wire 4500 psi			
154102	2'	154107	7'
154103	3'	154108	8'
154104	4'	154109	9'
154105	5'	154110	10'
154106	6'		

NOTE: Add suffix "B" to include Bend Restrictors

Part No.	Lengths	Part No.	Lengths
3/8" Apex 3000 - 1 wire 3000 psi			
153002	2'	153007	7'
153003	3'	153008	8'
153004	4'	153009	9'
153005	5'	153010	10'
153006	6'		

NOTE: Add suffix "B" to include Bend Restrictors

Part No.	Lengths	Part No.	Lengths
1/2" Ultima 4500 - 2 wire 4500 psi			
155702	2'	155707	7'
155703	3'	155708	8'
155704	4'	155709	9'
155705	5'	155710	10'
155706	6'		

NOTE: Add suffix "B" to include Bend Restrictors

Part No.	Lengths	Part No.	Lengths
1/4" Apex 3000 - 1 wire 3000 psi			
151002	2'	151007	7'
151003	3'	151008	8'
151004	4'	151009	9'
151005	5'	151010	10'
151006	6'		

NOTE: Add suffix "B" to include Bend Restrictors

Connector Hose / Carwash Bay Hose - 12' - 25'



All Carwash Bay hose come with Solid Male Pipe on both ends. Add suffix "B" to include bend restrictors on each end. See other options at the bottom of this page.

Part No.	Lengths	Part No.	Lengths
3/8" Apex 3000 - 1 wire 3000 psi			
261212	12'	261219	19'
261213	13'	261220	20'
261214	14'	261221	21'
261215	15'	261222	22'
261216	16'	261223	23'
261217	17'	261224	24'
261218	18'	261225	25'

NOTE: Add suffix "B" to include Bend Restrictors

Part No.	Lengths	Part No.	Lengths
1/4" Apex 3000 - 1 wire 3000 psi			
261112	12'	261119	19'
261113	13'	261120	20'
261114	14'	261121	21'
261115	15'	261122	22'
261116	16'	261123	23'
261117	17'	261124	24'
261118	18'	261125	25'

NOTE: Add suffix "B" to include Bend Restrictors

Part No.	Lengths	Part No.	Lengths
3/8" Blue Diamond - 1 wire 3000 psi			
261225	12'	261319	19'
261313	13'	261320	20'
261314	14'	261321	21'
261315	15'	261322	22'
261316	16'	261323	23'
261317	17'	261324	24'
261318	18'	261325	25'

NOTE: Add suffix "B" to include Bend Restrictors

Part No.	Lengths	Part No.	Lengths
1/4" Blue Diamond - 1 wire 3000 psi			
261362	12'	261369	19'
261363	13'	261370	20'
261364	14'	261371	21'
261365	15'	261372	22'
261366	16'	261373	23'
261367	17'	261374	24'
261368	18'	261375	25'

NOTE: Add suffix "B" to include Bend Restrictors

Carwash Bay Hose Options



Bend restrictor on one end.

Part No.	Description
150166	ONE 1/4" Bend Restrictor Installed
150161	ONE 3/8" Bend Restrictor Installed

If optional swivel ordered with bend restrictor – specify which end (swivel or solid) the restrictor is to go on.

Swivel on one end.

Part No.	Description
150730JX	ONE 1/4" MPT Swivel*
150741JX	ONE 3/8" MPT Swivel*

*Instead of Solid

HOSE & HOSE REELS

Hose Bend Restrictors



Top quality molded fit bend restrictors
Fits snugly to prevent kinks near the connectors
Used on Victor hose assemblies
Non-slip sure fit
Easy installation, 325°F

Part No.	Size	Hose Size/Type	Color/Material
150166	5.3"	1/4" 1 wire	Black Vinyl
150161	6.0"	3/8" 1 wire	Black Vinyl
150164	6.0"	3/8" 1 wire	Red Vinyl
150170	7.0"	1/2" 1 wire	Black Vinyl
150168	7.0"	1/2" 2 wire	Red Vinyl
150174	6.5"	3/8" Combo	Gray Vinyl
150172	6.5**	1/2" Combo	Black Rubber

*Insulated Rubber

The "Engineered" Reusable Couplings

Design and Build Your Own Hose or Adapt and Repair Hose in the Field (No Crimper Required)



Reusable Couplings for 1 Wire Braid Hose

Part No.	ID x MPT	Type
150502	1/4" x 1/4"	Solid
150505	1/4" x 1/4"	Swivel
150510	3/8" x 1/4"	Solid
150511	3/8" x 3/8"	Solid
150513	3/8" x 3/8"	Swivel
150515	1/2" x 3/8"	Solid
150516	1/2" x 1/2"	Solid
150518	1/2" x 1/2"	Swivel

Reusable Couplings for 2 Wire Braid Hose

Part No.	ID x MPT	Type
150532	1/4" x 1/4"	Solid
150535	1/4" x 1/4"	Swivel
150540	3/8" x 1/4"	Solid
150541	3/8" x 3/8"	Solid
150543	3/8" x 3/8"	Swivel
150545	1/2" x 3/8"	Solid
150546	1/2" x 1/2"	Solid
150548	1/2" x 1/2"	Swivel

Clear PVC Tubing



- "Box Pak" 100 ft
- 25°F to 150°F
- Very flexible – Non-reinforced
- Packaged in self-dispensing box

Part No.	ID	OD	WP @70°
121070	1/4"	3/8"	55
121106	1/2"	5/8"	30



Flex Line Bypass / Supply Line Hose

Industrial PVC hose with black seamless inner tube, polyester braid reinforced tough outer cover. Excellent for use as supply lines or bypass lines. Typically used for air hoses.



- Looks & feels like rubber
- Smooth dirt- & oil-resistant finish
- Super flexible
- Abrasion-resistant cover
- Burst-rated 3 times WP

Part No.	ID x OD	WP @ 70°	Roll Length
Red Cover, heavy wall			
121081	3/8" x .634"	300	50'
121083	3/8" x .634"	300	500'
121087	1/2" x .792"	250	50'
121089	1/2" x .792"	250	500'
121097	3/4" x 1.14"	160	50'
121099	3/4" x 1.14"	160	300'
Black Cover, standard wall			
121143	1/4" x .475"	250	300'
121147	3/8" x .614"	250	100'
121148	3/8" x .614"	250	300'
121153	1/2" x .752"	250	300'
Blue Cover, standard wall			
121160	1/4" x .475"	250	100'
121165	3/8" x .614"	250	100'
121166	3/8" x .614"	250	300'



Clear Reinforced PVC Tubing



Multi-use industrial grade tubing with high resistance to chemicals, solvents & fuel.



- Reinforced with polyester cord
- Huge selection of sizes and lengths
- 4 to 1 Burst Safety Factor

Part No.	ID x OD	WP @ 70°	Roll Length
121031	1/4" x 3/8"	25'	250
121032	1/4" x 3/8"	50'	250
121033	1/4" x 3/8"	100'	250
121034	1/4" x 3/8"	300'	250
121036	3/8" x 1/2"	25'	175
121037	3/8" x 1/2"	50'	175
121038	3/8" x 1/2"	100'	175
121039	3/8" x 1/2"	300'	175
121041	1/2" x 3/4"	25'	175
121042	1/2" x 3/4"	50'	175
121043	1/2" x 3/4"	100'	175
121044	1/2" x 3/4"	300'	175
121046	5/8" x 7/8"	25'	140
121047	5/8" x 7/8"	50'	140
121048	5/8" x 7/8"	100'	140
121049	5/8" x 7/8"	300'	140
121051	3/4" x 1"	25'	140
121052	3/4" x 1"	50'	140
121053	3/4" x 1"	100'	140
121054	3/4" x 1"	300'	140
121059	1" x 1 1/4"	25'	75
121060	1" x 1 1/4"	50'	75
121061	1" x 1 1/4"	100'	75
121063	1" x 1 1/4"	200'	75

Revolutionary 360° Swivel Design

The Rapid Reel Pivot Reel takes the muscle and pain out of fighting high-pressure hoses and keeps them safely stored away from traffic. Featuring a sturdy, lockable, 360° swivel design, the Pivot Reel is always aligned with the hose for tangle-free pressure washing.

The Pivot Reel offers three types of hose reels: pivot, pivot for trailers or flatbed trucks (includes pedestal for mounting), and standard (non-pivot).

All are rated at 5000 psi and 325°F to meet maximum limits of standard 3/8" pressure Washer. Reels range in three sizes to handle 100, 200 or 400 feet of high-pressure hose and carry a two-year warranty.

Pivot Reels have a number of distinctive features, including stainless steel rotor and dual seal swivel, "flip-over" hose guide, spring-action pin to prevent slippage when winding hose and easy-to-engage cam-lever brake.

- **Pivot Design:** Engineered to keep the reel constantly in alignment with the hose for tangle-free washing.
- **Swivel Action:** Designed specifically for pressure Washer with stainless steel rotor and dual seals backed by two-year leak-free guarantee.
- **'Flip-Over' Hose Guide:** For ease in winding and unwinding as well as keeps hands clean and injury free.
- **Slip Protection:** Spring-action, stainless steel pin is quickly engaged or disengaged to prevent slippage during reel operation.
- **Cam-Lever Brake:** Made of durable components, turns on and off with the flick of a finger.



- **Hose Attachment:** Innovative design protects hose from hard pulls so that the strain is absorbed by a cushioned hose clamp.



360° Pivot Reel

Features a sturdy, lockable 360° pivot design. Numerous mounting options. These patented pivot reels are always aligned with the hose for tangle-free pressure washing. Rated at 5000 psi and 325°F.



Part No.	Length
4-02751030	100' x 3/8"
4-02752030	200' x 3/8"

NOTE: Hose not included

Pivot Mounting Brackets

Select one of the pivot reels above and simply bolt it to any of these brackets or kits.



Part No.	Description
4-02751004	2 Wheel Cart holds 100' or 200' Pivot Reel
4-02751036	Pivot Reel Wall Mount
4-02751046	Wall Stud Plate*
4-02751032	Universal Bracket mount**
4-02751031	PHW, OHW, HOT
4-02751037	PG, PE

*Wall stud plate is drilled for 16", 20" and 24" studs. Wall mount bracket is needed for installation with this.

**Universal bracket mounts to any round pipe, square tube or angle iron up to 1-1/2" in size.



HOSE & HOSE REELS

Non-Pivot Hose Reels

Versatile line for high-pressure hose. Numerous mounting options. High-pressure reels carry a 2-year warranty and are rated at 5000 psi and 325°F.



Front View



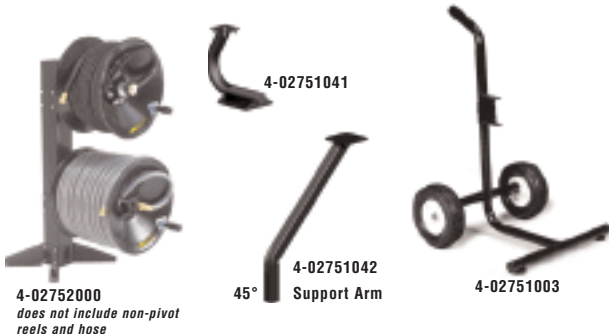
Non-pivot reels are designed to be bolted to one of the mounting brackets listed under "Non-Pivot Mounting Brackets".

Part No.	Length
4-02751025	100' x 3/8"
4-02751026	200' x 3/8"
4-027510261	400' x 3/8"

NOTE: Hose not included

Non-Pivot Mounting Brackets

Select one of the non-pivot reels and simply bolt it to any of these brackets or kits.



4-02752000 does not include non-pivot reels and hose

Part No.	Description
4-02752000	2 Reel Stacker, (Non-Pivot Reels not included)
4-02752001	4 Reel Stacker, (Non-Pivot Reels not included)
4-02751041	Base Mount, Non-Pivot Reel, Wall or Flatbed
4-02751060	Support Arm, 45°, Non-Pivot Reel
4-02751044	Support Arm, 90°, Non-Pivot Reel
4-02751043	Vertical Support Arm, Non-Pivot Reel
4-02751003	2 Wheel Cart, Non-Pivot Reel only

Non-Pivot Industrial Garden Hose Reel

The new 4000-GH Series is the best industrial garden hose reel on the market. Also the most versatile. Use the 4000-GH Series for any over-the-road application or on shop walls. durable steel construction and brass fittings deliver reliable performance and long life.



- 2 year warranty
- Includes 5' jumper hose
- Mounts to any of the brackets listed above.

Part No.	Description	PSI	Temp
4-02751010	150' x 5/8"	150	120°F
4-02751011	225' x 5/8"	150	120°F

NOTE: Garden hose not included

Trailer Mount Hose Reel

Heavy-duty reels designed specifically for rugged over-the-road applications. Pivoting action keeps the reel in constant alignment with the direction the hose is pulled.



4-02751005, 4-02751006

4-02751027

4-02751024

- 5000 psi
- 325°

Part No.	Length	Description
4-02751005	100', 3/8"	360° Pivoting
4-02751006	200', 3/8"	360° Pivoting
4-02751027	400', 3/8"	270° Pivoting
4-02751023	100', 3/8"	Pivoting (LANDA Trailer Only)
4-02751024	200', 3/8"	Pivoting (LANDA Trailer Only)

Rapid Reel Swivels

Rapid Reel's very own swivel is designed specifically for pressure Washer and is the ONLY swivel guaranteed not to leak for 2 years! A stainless rotor and unique dual seal deliver extra long life.



- 5000 psi
- Stainless steel rotor
- Unique dual seal for extra long life
- 2 year warranty

Part No.	Description	PSI
4-02751028	Rapid Reel Swivel, 1/2" FPT x 3/8" FPT	5000
4-02751029	Rapid Reel Swivel Repair Kit	

Cox Hose Reels

Cox reels offer high performance in a very compact and lightweight hand crank hose reel. Perfect for mobile application and permanent floor and wall mount.



4-02750001

4-02750003

- Rated up to 4000 psi
- -20°F to 225°F
- Adjustable drag brake
- 90° brass swivel

Part No.	Description	PSI
4-02750001	175' x 3/8"	3000
4-02750002	50' x 3/8"	4000
4-02750003	100' x 3/8"	4000
4-02750004	100' x 1.5"	600
4-02750008	100' x 1"	300
95-07121213	Mounting Bracket, Horizontal Coil Machines	
4-020362	Replacement Swivel, 1/2"	
4-020363	Replacement Swivel, 3/8"	
4-020368	Swivel Repair Kit	
4-020369	Handle Replacement	
4-020366	Locking Pin Assy	

Hose Reels by Victor

VALU LINE



Victor "Valu-Line" hose reels have been designed to perfectly balance ruggedness and durability with affordability.



Swivel Repair Kits

Part No.	Landa No.
110025	4-0203611

Replacement Swivels

See pages 27-28

Hosemaster



Swivel Repair Kits

Part No.	Hose Dia.
075130	3/8"
075128	1/2"
110025*	

*For Round Swivels

Replacement Swivels

See pages 27-28

- Flared flanges for maximum capacity
- Solid center core for maximum strength
- Rolled beaded edge flanges for maximum safety
- Easy mounting options for maximum versatility
- "Posi-Pin" lock, prevents unwanted dereeling
- Heavy-duty powder coated steel
- Easy access external swivel
- 4000 psi working pressure
- Rated temp: 225°F
- 3/8" or 1/2" Inlet/Outlet

Part No.	Landa No.	Hose Dia	Capacity	Core Width	Flange Width	Flange Dia	Overall Height
386188		3/8"	50'	4.3"	7.9"	10.5"	13.0"
386191	4-02755030	3/8"	100'	8.7"	12.2"	10.5"	13.0"
386206		3/8"	150'	6.3"	10.2"	13.0"	16.7"
386209		1/2"	100'	6.3"	10.2"	13.0"	16.7"

NOTE: Hose is not included in price. See page 19 for connector hoses.

- Super-reinforced core – Won't collapse!
- Adjustable brake for controlled reel tension
- Convenient external swivel
- Manual rewind handle included
- Solid core bolts onto flanges for extra strength
- 225°F max temperature
- Snap lock to prevent accidental dereeling
- Bearings have oil cap for easy field maintenance
- 4000 psi working pressure

Professional Size Reel

Part No.	Hose Dia	Capacity	Reel Size Width	Reel Size Dia
386174	3/8"	150'	6"	18"
386175	3/8"	300'	10"	18"
386176	3/8"	350'	14"	18"
386181	1/2"	200'	10"	18"
386182	1/2"	270'	14"	18"

NOTE: Hose is not included in price. Interchangeable parts available. Call for pricing. See page 19 for connector hoses.

Space Saver Reel

Part No.	Hose Dia	Capacity	Reel Size Width	Reel Size Dia
386171	3/8"	90'	6"	14"
386172	3/8"	140'	10"	14"
386173	3/8"	200'	14"	14"
386178	1/2"	115'	10"	14"
386179	1/2"	150'	14"	14"

NOTE: Hose is not included in price. Interchangeable parts available. Call for pricing. See page 19 for connector hoses.

360° Steel Eagle Pivot Reel

Built Tough...Built Affordable! Stores up to 150 feet of 3/8" high pressure hose



- 4000 psi working pressure
- 250°F max temperature
- Adjustable friction brake for controlled reel tension
- Reel swivel 200° for optimum travel range for hose
- Manual rewind handle included
- Easy mount adapter for any round or square tubing
- Lock pin to prevent accidental dereeling

Part No.	Description	Hose Dia	Capacity	Reel Size Dia
386217	Swivel Reel	3/8"	150'	18"
386218	Mounting Block Kit			

NOTE: Hose is not included in price. Interchangeable parts available. Call for pricing. See page 19 for connector hoses.